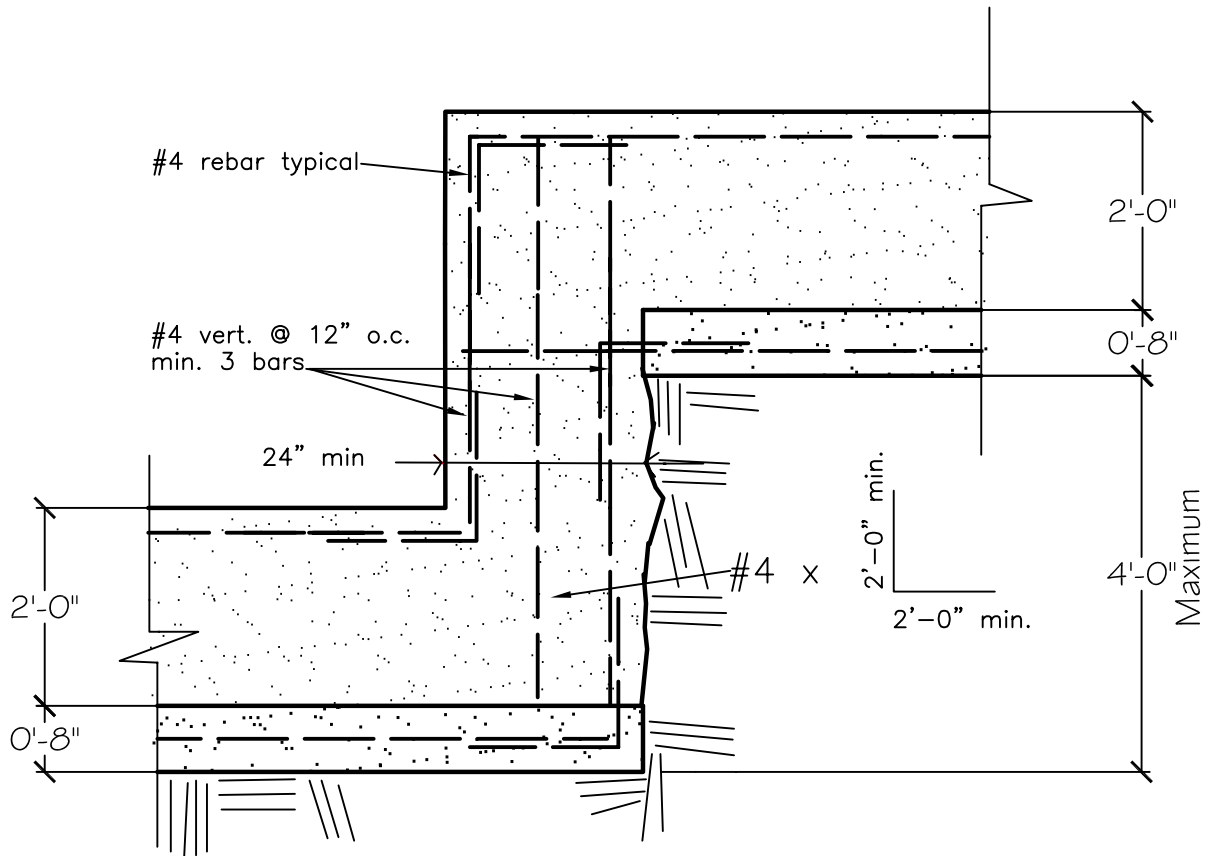


# CLARK COUNTY BUILDING DIVISION



- 1) min. 8" deep x 16" wide footings.
- 2) do not locate another vertical step in footing within a horiz. distance of 8'-0" from step shown.
- 3) footing shall be a min. of 18" below exterior finished grade.