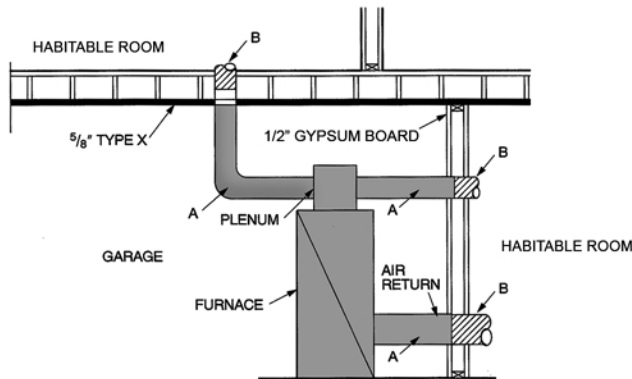
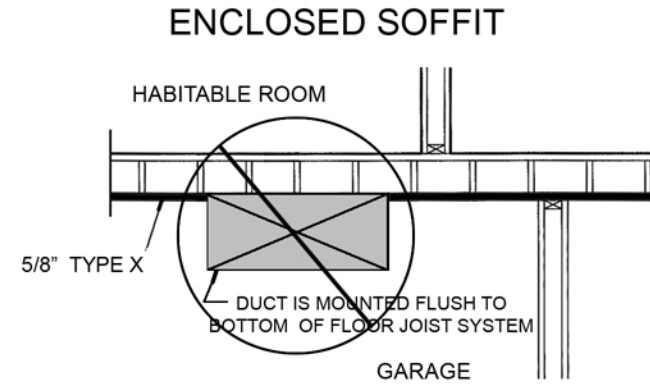
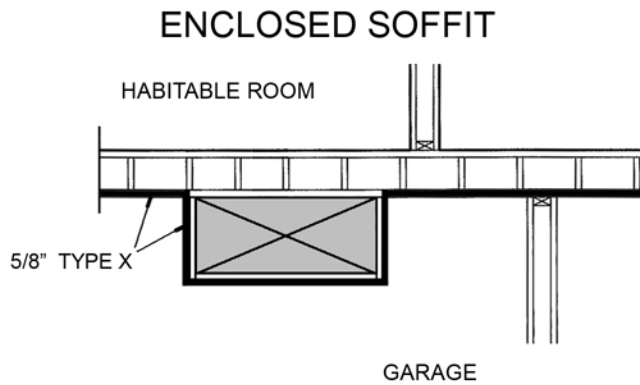
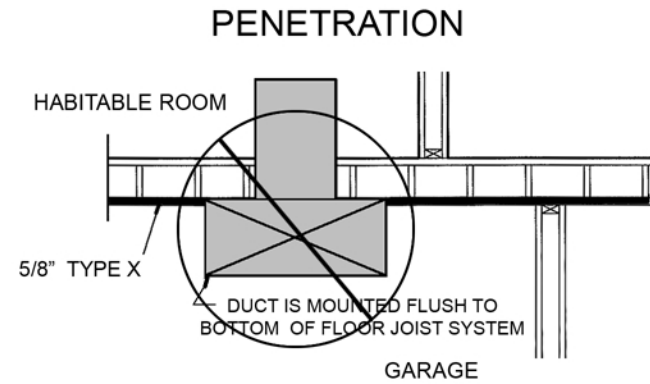
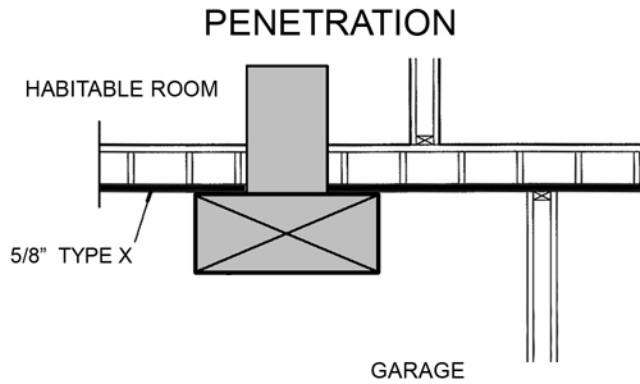


# ACCEPTABLE

# NOT ACCEPTABLE



R309.1.1 Duct penetration. Ducts in the garage and ducts penetrating the walls or ceilings separating the dwelling from the garage shall be constructed of a minimum No. 26 gauge sheet steel or other approved material and shall have no openings into the garage. When a vibration isolator is used in the garage duct, it must be installed at least 18 inches from the penetration. Vibration isolators shall be installed in accordance with Section M1601.2.2.

DUCTS A - 0.019 IN. (NO. 26 GAUGE) GALVANIZED STEEL WITH NO OPENINGS INTO GARAGE.

DUCT B - ANY DUCT APPROVED BY THE IRC.